

# Pressure Gauge/Measuring Handle/Self-Venting Block

### Pressure gauge

- Filled with glycerine – suitable for temperatures to -40°C
- Special seal – quick change
- Measuring accuracy ± 1.6%
- Diameter 63 mm
- Pressure gauge connection G 1/4", male thread
- Scale with double graduation (MPa + bar)

### Measuring handle

Measuring handle T101-2 is used for low pressures up to max. 60 bar.

- System 100 – time-saving quick connect couplings
- Shut-off valve in coupling body and nipple – dry break

Measuring handle T101-21A can be coupled even under full working pressure.

### Self-venting block

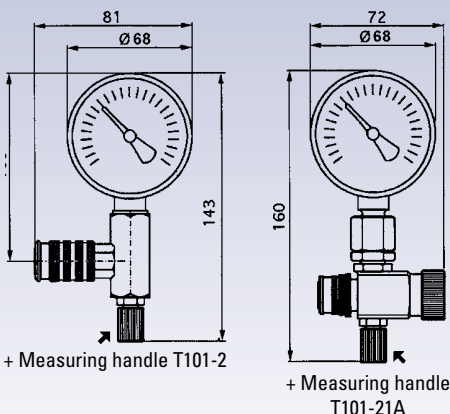
In order to obtain exact measured values (particularly with dynamic pressure measurements), it is essential that there should be no air bubbles trapped between the measuring nipple and the pressure gauge. This can be checked simply and effectively with the TEMA 100 Measuring System, since the air bubbles can easily be removed. It is possible to vent the system at maximum working pressure by using the venting screw.



## Pressure gauge

## TEMA System 100



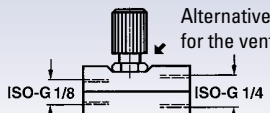
Dimension Pressure gauge + measuring handle:



Pressure Range	Part Number	DS
-1 to +1,5 bar	TMAN 04	<input type="checkbox"/>
-1 to +15 bar	TMAN 05	<input checked="" type="checkbox"/>
0 to +6 bar	TMAN 15	<input checked="" type="checkbox"/>
0 to +10 bar	TMAN 10	<input checked="" type="checkbox"/>
0 to +16 bar	TMAN 11	<input checked="" type="checkbox"/>
0 to +25 bar	TMAN 12	<input checked="" type="checkbox"/>
0 to +40 bar	TMAN 13	<input checked="" type="checkbox"/>
0 to +60 bar	TMAN 14	<input checked="" type="checkbox"/>
0 to +100 bar	TMAN 06	<input checked="" type="checkbox"/>
0 to +250 bar	TMAN 07	<input checked="" type="checkbox"/>
0 to +400 bar	TMAN 08	<input checked="" type="checkbox"/>
0 to +600 bar	TMAN 09	<input checked="" type="checkbox"/>
Rubber guard for pressure gauge	T100-40	<input checked="" type="checkbox"/>

## Measuring handle/Self-venting block

## TEMA System 100

Part	Part Number	DS
 Measuring handle	Measuring handle	T101-2 <input checked="" type="checkbox"/>
 Measuring handle can be coupled under pressure	Measuring handle can be coupled under pressure	T101-21A <input checked="" type="checkbox"/>
 Alternative position for the venting screw	Self-venting block	T101-3 <input checked="" type="checkbox"/>

DS = Delivery Status:  in stock     on short call     medium term delivery