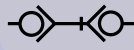


Nominal Diameter **20** = 314 mm<sup>2</sup>

**76 KB series**



**Technical Description**

The 76 KB series is a double shut-off hydraulic coupling used for liquid mediums. The plug profile is manufactured in accordance with ISO-7241-1, series B. All versions mentioned below are manufactured from non-rusting materials.

**Advantages**

This coupling requires two handed operation (the sleeve must be manually pulled back when connecting).

**Applications**

Liquids, paper machines, refrigerating circuit, rail vehicle.

**Working Pressure**

PB = 100 bar (brass)  
PB = 100 bar (stainless steel), maximum static working pressure until 50°C with safety factor of 4 to 1.

**Working Temperature\***

-20°C up to +100°C (Buna N)  
-40°C up to +120/150°C (EPDM)  
-15°C up to +200°C (Viton®)  
0°C up to +316°C (Kalrez®) depending on the medium.

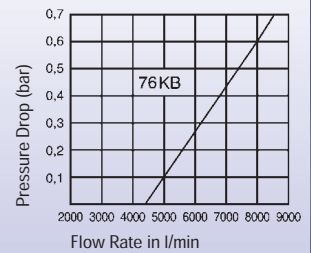
\* At a temperature below -20°C and above +150°C special seals are available on request.



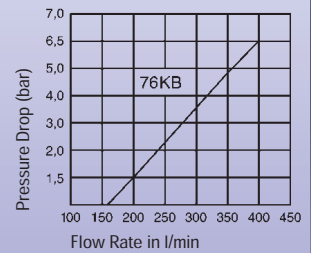
Material	Standard Version	Additional Versions		
<b>Coupling</b>		<b>AISI 303</b>	<b>AISI 316 Ti</b>	<b>POM (Plastic)</b>
Back Body	Brass	AISI 303	AISI 316 Ti	(see page 203)
Sleeve	Brass	AISI 303	AISI 316 Ti	
Valve	Brass	AISI 303	AISI 316 Ti	
Spring and Locking Ring	AISI 316 Ti	AISI 316 Ti	AISI 316 Ti	
Locking Balls	AISI 420	AISI 316	AISI 316	
Seals	Buna N	Viton®	Viton®	
Spring and Locking Ring	Brass	AISI 301	AISI 316 Ti	
<b>Plug</b>				
Plug Profile	Brass	AISI 303	AISI 316 Ti	
Valve	Brass	AISI 303	AISI 316 Ti	
Spring and Locking Ring	AISI 316 Ti	AISI 316 Ti	AISI 316 Ti	
Spring Plate	Brass	AISI 301	AISI 316 Ti	
Seal	Buna N	Viton®	Viton®	

**Chart**

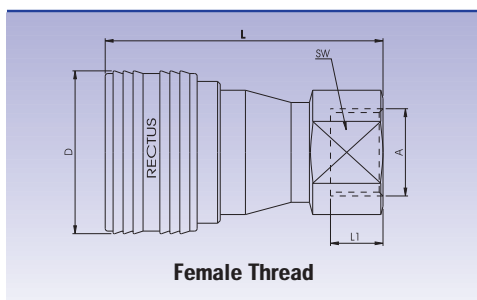
**Air**



**Water**



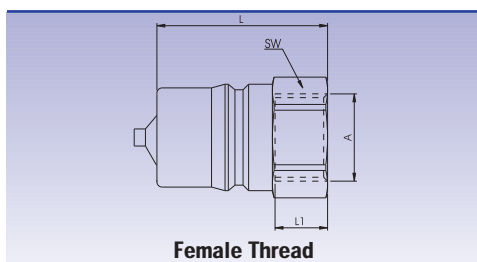
**Couplings**



**Female Thread**

Connection A	Hex SW	L	D	L1	L2	Hex1 SW1	B	G	Version	Part Number
G 1	41	105,5	62	24					Standard Design	76KB IW33 MPX
									AISI 303	76KB IW33 RVX
									AISI 316 Ti	76KB IW33 EVX

**Valved Plugs**



**Female Thread**

Connection A	Hex SW	L	D	L1	L2	Hex1 SW1	B	G	Version	Part Number
G 1	41	65		24					Standard Design	76SB IW33 MPX
									AISI 303	76SB IW33 RVX
									AISI 316 Ti	76SB IW33 EVX