

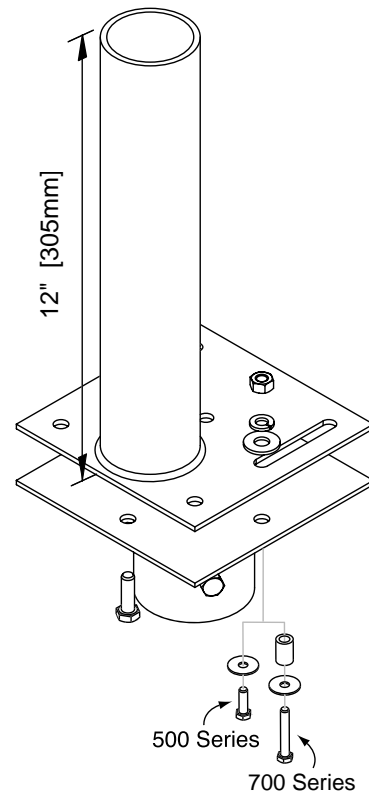
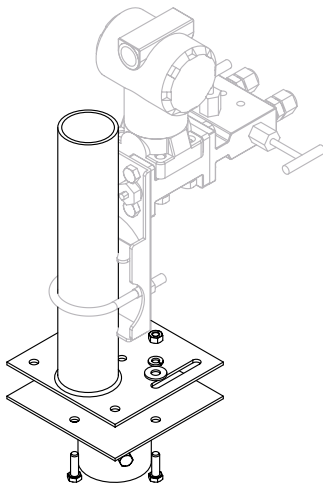


MK3 MOUNTING KIT 500 & 700 SERIES ENCLOSURES

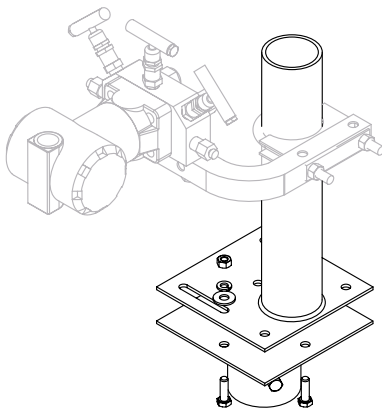
The MK3 mounting kit combines a 2" NB instrument mounting pipe inside the enclosure with a standard 2" NB pipe enclosure mounting socket. Mounting kits are used with Vipak 500 and 700 series enclosures.

Combining the MK3 mounting kit with the Trakmount® system allows the transmitter to be positioned almost anywhere in the enclosure without drilling additional holes.

MK3 WITH TRANSMITTER MOUNTING



MK3 WITH MANIFOLD MOUNTING



©2004 O'Brien Corporation • QLT-GRP/MK3 • 1 MAR 04

Specifications subject to change without notice.



ISO 9001:2000
REGISTERED

Worldwide Offices:

USA: 1900 Crystal Industrial Court • St. Louis, Missouri 63114 • Ph: 314/236-2020 • Fax: 314/236-2080

BELGIUM: Mallekotstraat 65 • B 2500 Lier, Belgium • Ph (+32) 3 491 9875 • Fax (+32) 3 491 9876

CANADA: Suite 400 • 609 14th Street NW • Calgary, AB T2N 2A1 • Ph 403/730-7277 • Fax 403/730-7279

obcorp@obcorp.com • www.obcorp.com