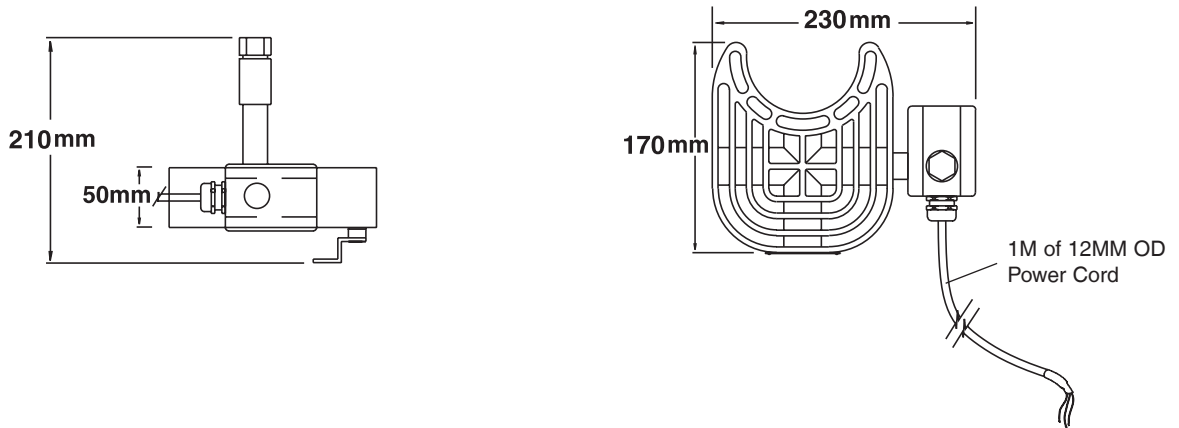




VIPAK® EEX SERIES HEATER

Insulating spacers and mounting feet position the heater to make the most of natural convection currents and minimize heat sinks. The thermostat can be positioned at the level of the instrument to accurately reflect the instrument body temperature.



Use the closest ambient temperature to determine the wattage required.
EEX heaters must be mounted horizontally for proper operation.

		Heater Size in Watts															
		Thermostat Set Point															
		10°C			25°C			40°C			50°C			65°C			
Enclosure		Ambient Temperature			Ambient Temperature			Ambient Temperature			Ambient Temperature			Ambient Temperature			
		-20°C	-30°C	-40°C	-20°C	-30°C	-40°C	-20°C	-30°C	-40°C	-20°C	-30°C	-40°C	-20°C	-30°C	-40°C	
	501/502	100	100	150	150	150	200	150	200	200	200	300	300	300	300	300	300
	701/702	150	150	200	200	200	300	300	300	300	300	400	400	400	400	400	400
	705/706	300	300	400	400	400	600	600	600	600	600	800	800	800	800	800	800

Model Number	
Thermostat Set Point	
1	50°F (10°C)
2	75°F (25°C)
4	100°F (40°C)
Power	
0	100 Watts
1	150 Watts
2	200 Watts
Operating Voltage	
1	115 VAC
2	230 VAC
7	277 VAC

Example:
230 volt 200 watt EEX Heater with 10°C set point:
EEX122

©2006 O'Brien Corporation • QLT-GRPEEX • 1 APR 06

Specifications subject to change without notice.



Worldwide Offices:
USA: 1900 Crystal Industrial Court • St. Louis, Missouri 63114 • Ph: 314/236-2020 • Fax: 314/236-2080
BELGIUM: Mallekotstraat 65 • B 2500 Lier, Belgium • Ph (+32) 3 491 9875 • Fax (+32) 3 491 9876
CANADA: Suite 400 • 609 14th Street NW • Calgary, AB T2N 2A1 • Ph 403/730-7277 • Fax 403/730-7279
obcorp@obcorp.com • www.obcorp.com