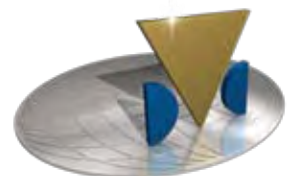




Valves with a difference

Metal Seated

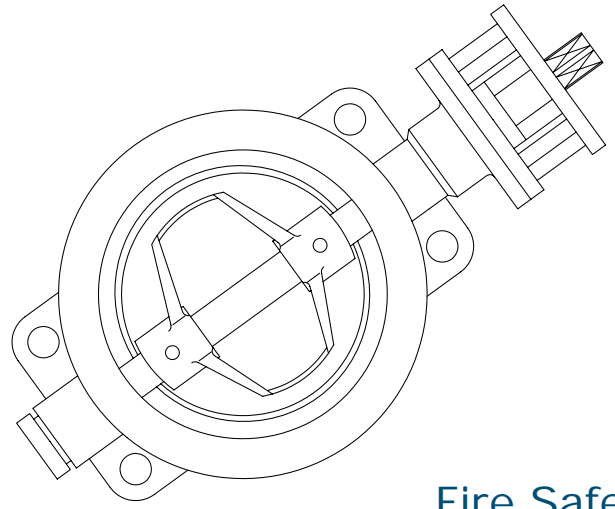
Butterfly Valves



DVC INTERNATIONAL

With DVC International as your business partner, you are always guaranteed a wide and well sorted product range and a unique technical know-how.

Product development is a key factor for DVC International, ensuring you the best products at any time.



Fire Safe
Heavy-duty
Long Service
CE-approved
Bidirectional
Reduced Friction
Face-to-face as Soft Seated
High Pressure & Temperature Range

What is important to you, when you buy Metal Seated Butterfly Valves? What about: Heavy-duty? Long Service? CE-approved? Bidirectional? Reduced Friction? High Pressure & Temperature Range.

Metal Seated Butterfly Valves from DVC International are characterized by their long service and reduced friction. The Metal Seated Butterfly Valves are available in a wide range of dimensions at competitive prices.



Benefits

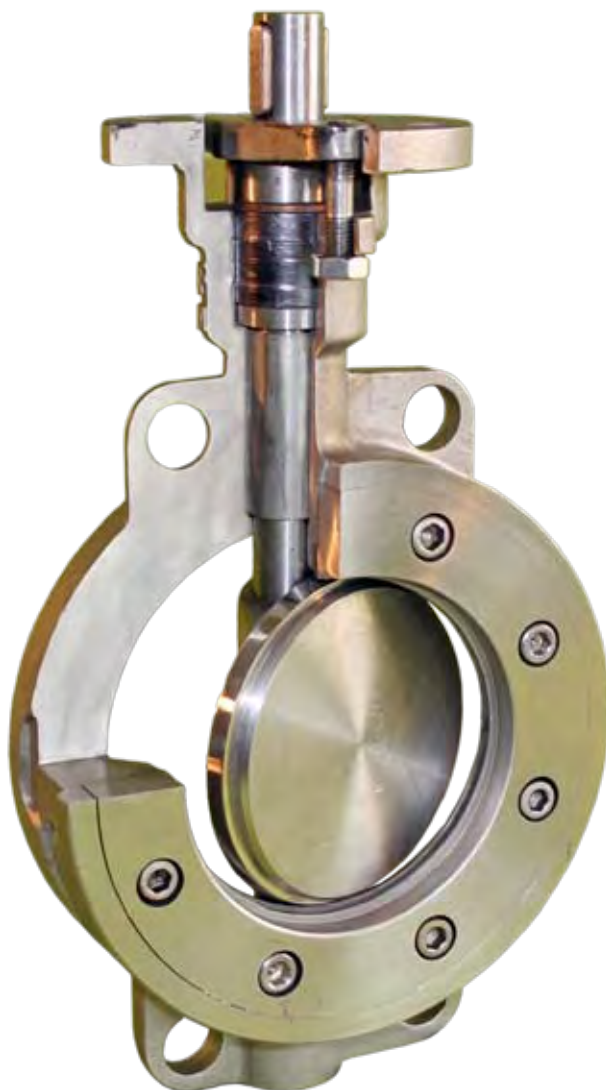
Metal Seated Butterfly Valve

Type 2500 Wafer

Dimensions DN80 - DN400

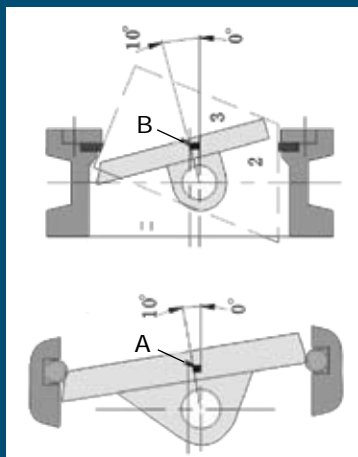


- **Long Service**
Type 2500 has an adjustable and replaceable seal in the body which prolongs the service life.
- **100% Tightness**
Because of the floating seal - the seal ring can properly self adjust its position due to the valve closing pressure so as to bring the disc in full contact with the seal and obtain an even seal pressure ration and zero leakage.
- **Reduced Friction**
Type 2500 has an unique triple eccentric structure which facilitates an immediate opening or closing with a minimum of friction and wear.
- **Face-to-face as Soft Seated Butterfly Valves**
Type 2500 has the same EN558-1 standard (3202 (K1)) and the same dimensions according to API 609 as Soft Seated Butterfly Valves.
- **High Pressure & Temperature Range**
The triple eccentric structure of type 2500 is well suited for both high pressures and high temperatures. Pressure tested according to API 598.



Construction of the disc

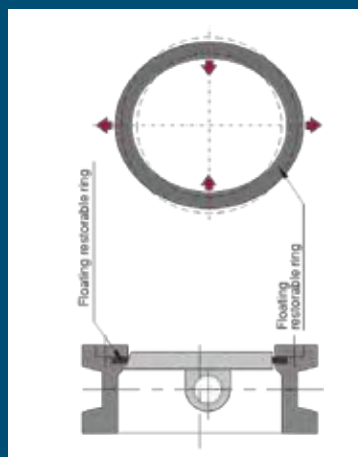
Friction



Construction of the disc

- Top: Triple offset butterfly valve.
Bottom: Conventional butterfly valve.
- A. Friction area.
B. No friction area.
- 1. Offset between axis and midline of body.
2. Offset between axis and disc sealing midline.
3. Offset of inclined cone.

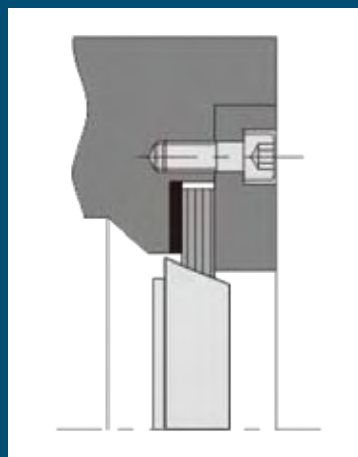
Floating Seal



Floating restorable ring

- The floating seal ring is capable of self-adjustment by the pressure of the disc resulting in an even contact pressure ratio, a long service life and an improved metal sealing.

V-type ring and end cover

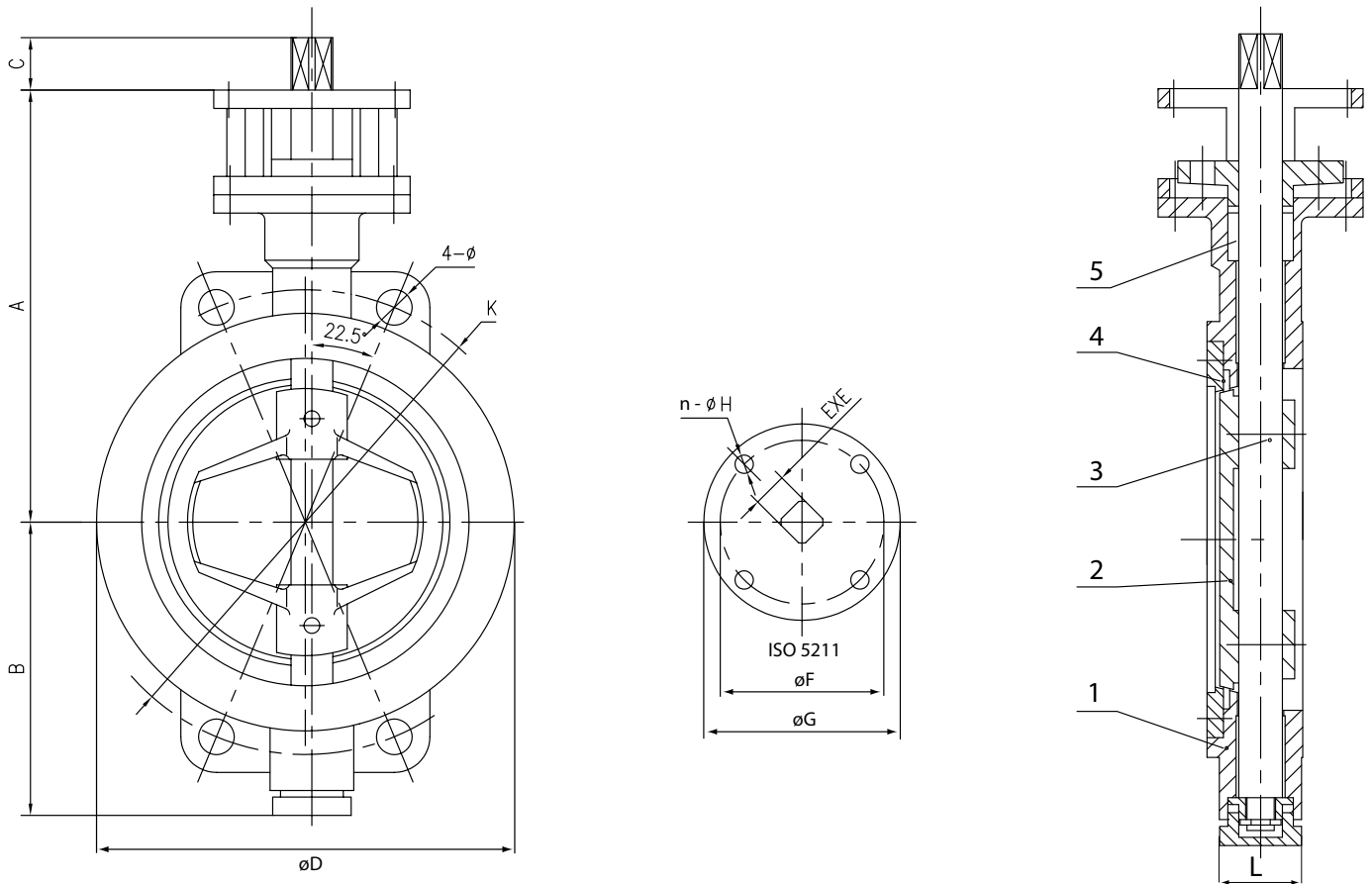


Adjustment and replacement of the ring

- Conventional butterfly valves will be discarded for being useless when leakage occurs due to wearing, which is not economical.
- The present valve adopts a floating sealing structure embedded into the valve body, whose seal ring can be adjusted to approach the disc and resume the normal seal ability if the seal ring ability decreases due to long-run use.
- The valve can be repaired conventionally because the seal ring can be dismantled for replacement on the spot without special tools.

Type 2500 Wafer - free stem

■ Dimensions (mm)



Dim.	L (mm)	A (mm)	B (mm)	C (mm)	D (mm)	E (mm)	F (mm)	G (mm)	n- ϕ H	ISO 5211
DN80	46	200	98	26	130	17	102	125	4 - ϕ 12	F10
DN100	52	215	112	26	156	17	102	125	4 - ϕ 12	F10
DN125	56	231	122	26	184	17	102	125	4 - ϕ 12	F10
DN150	56	264	134	26	212	17	125	150	4 - ϕ 14	F12
DN200	60	296	200	34	266	22	125	150	4 - ϕ 14	F12
DN250	68	330	224	40	319	27	125	150	4 - ϕ 14	F12
DN300	78	363	261	44	370	27	146	175	4 - ϕ 18	F14
DN350	83	410	298	50	413	36	165	210	4 - ϕ 22	F16
DN400	102	465	331	56	470	46	254	300	8 - ϕ 18	F25

Other dimension available.

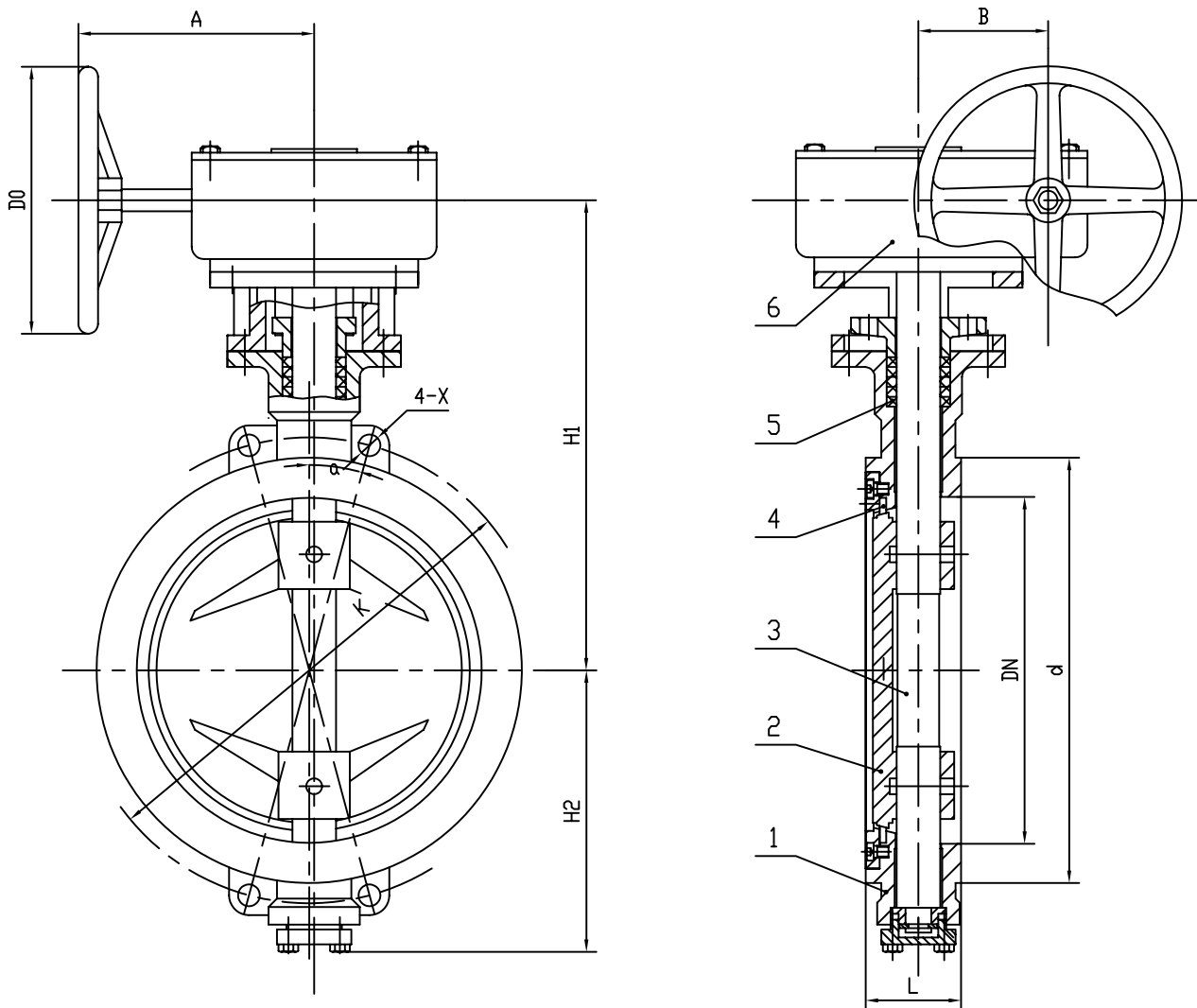
■ Structure and material

No.	Description	Material	Material
1	Body	WCA (GS-C25)	AISI 316
2	Disc	WCA (GS-C25)	AISI 316
3	Stem	17-4PH	17-4PH
4	Seal Ring	AISI 420 + Graphite	AISI 316 + Graphite
5	Packing	Graphite	Graphite

Other materials available.

Type 2500 Wafer - with gear box

■ Dimensions (mm)



Dim.	L (mm)	K (mm)	a (mm)	d (mm)	H1 (mm)	H2 (mm)	A (mm)	B (mm)	D0 (mm)	4 - X
DN80	46	152,5	45,0°	127	215	98	195	45	152	4 - ø18,0
DN100	52	190,5	22,5°	157,8	230	112	195	45	152	4 - ø18,0
DN125	56	216,0	22,5°	186	246	125	195	45	152	4 - ø22,0
DN150	56	241,5	22,5°	216	309	138	325	66	305	4 - ø22,0
DN200	60	298,5	22,5°	270	351	200	325	66	305	4 - ø22,0
DN250	68	362	15°	324	384	231	325	66	305	4 - ø26,0
DN300	78	432	15°	381	415	261	315	78	305	4 - ø26,0
DN350	83	476	15°	413	452	298	281	120	406	4 - ø29,5
DN400	102	540	11,3°	470	531	331	317	146	400	4 - M27,0

Other dimension available.

■ Structure and material

No.	Description	Material	Material
1	Body	WCA (GS-C25)	AISI 316
2	Disc	WCA (GS-C25)	AISI 316
3	Stem	17-4PH	17-4PH
4	Seal Ring	AISI 420 + Graphite	AISI 316 + Graphite
5	Packing	Graphite	Graphite
6	Gearbox	-	-

Other materials available.

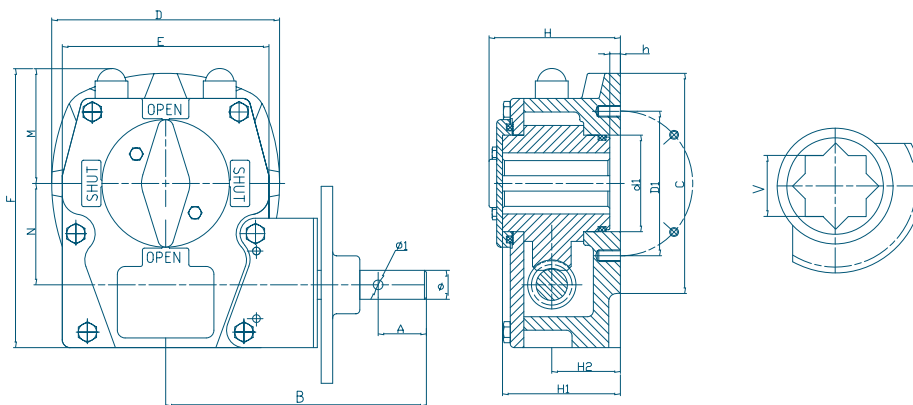
Construction - Gear Boxes - DN 350 to DN 600

Gearboxes



- Axial needle bearing.
- Rugged construction for all environments.
- AWWA requirements can be satisfied.
- Padlocked wheels are available.
- Suitable for high and low temperatures.
- Ratios from 42:1 to 720:1.
- Torque range up to 3200 Nm.
- Housing is made of cast iron and ductile iron.
- Worm is made of hard steel.
- Gear is made of ductile iron and bronze.
- Input shaft is made of zinc plated steel or stainless steel.

General Parameters



General Information

Type	Valve dim.	Ratio	Output torque (Nm)	Input torque (Nm)	Handwheel ϕ (mm)	Turns from open to closed	Valve shaft ϕ max (mm)	Stem hole size	Mounting flange	Bolt size	Weight (Kg)
M12	DN 350	42:1	994	88	300	10,5	45	27 x 27	F14/F10	M16 x 40	17.1
M14	DN 400	60:1	1789	110	300	15	65	27 x 27	F16/F12	M16 x 40	32.0
M15	DN 450	68:1	3381	165	400	17	86	36 x 36	F16/F14	M16 x 45	32.0
M15	DN 500	68:1	3381	165	400	17	86	46 x 46	F16/F14	M20 x 45	32.0
M16	DN 600	88:1	4474	169	500	22	89	46 x 46	F25/F16	M16 x 55	46.1

Dimensions

Type	W	V	D1	n-m	d1	ϕ	A	$\phi 1$	B	C	D	H	H1	H2	h	E	F	M	N
M12	11.2	55.2	126	4x1/2-13	65	20	32	6	168	147	150	81	73	42	7.5	136	157	52	67
M14	19.1	82.2	140	4x5/8-11	90	20	32	6	185	192	198	98	80	50	5.2	184	217	86	90
M15	22.3	105.9	165	4x3/4-10	115	30	45	8	250	235	252	105	92	50	9.5	248	292	114	123
M16	22.3	108.8	165	8x5/8-11	120	30	45	8	275	290	315	127	113	50	9.5	313	326	117	153

Valves with a difference

DVC INTERNATIONAL

Product Range

- Ball Valves
- Butterfly Valves Soft Seated
- Butterfly Valves Metal Seated
- Y-angle Globe Control Valves
- Thin Wafer Check Valves
- Pneumatic Actuators
- Electrical Actuators
- Brackets for Actuators
- Limit Switches
- Level Gauges - Reflex & Transparent

Try us - together we can make a difference

DVC is a company with a difference - our goal is not to be just another player - we want to be a leading company in the valve business.

Our distributors needs drive our business. It is our goal to build long-term partnerships with everyone of our distributors, contributing to their succes.

Accuracy, excellent service, flexibility, timely delivery and cost effectiveness all ensure that we meet end even exceed the expectations of our distributors.

Visit us at **www.dvc.nu** and learn more about DVC and our products.

