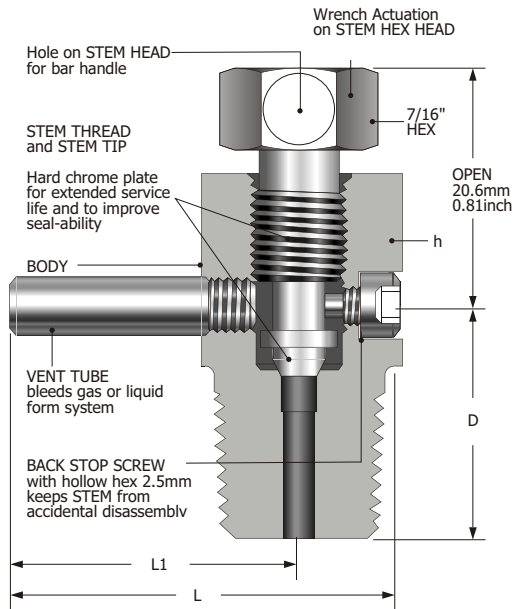




VBV Series Bleed Valves

Catalog No. VBV-1
July 20 06



Design and Applications



D-Pro VBV Series Bleed Valves are designed to vent the signal line pressure to atmosphere before an instrument is removed and to assist in calibration of control devices. These are for use on instrumentation devices such as gauge root valves and multi-valve manifolds. Optional barbed vent tube enables containment of fluid vented. The VBV Series are also ideal in bleeding hydraulic systems.

Installation and Operation

Position the vent tube so that system fluid is not directed to personnel operating. Slowly open the valve. This valve has no stem seal packing; small amounts of fluid will go through the stem thread when they are opened. Therefore suitable measures should be taken to protect personnel operating.

MATERIALS OF CONSTRUCTION

| Components | VALVE BODY MATERIALS | |
|-----------------|------------------------------------|-------------------|
| | SS316 Stainless | Carbon Steel |
| | GRADE / ASTM and JIS SPECIFICATION | |
| Stem | SS316 / A 276 | |
| Body* | SS316 / A 276 | S20C-S45C / G4051 |
| Back Stop Screw | SS316 / A 276 | |
| Vent Tube | SS316 / A 269 | |

Carbon Steel bodies are white galvanized for corrosion resistance.

TECHNICAL DATA

| Material | Temperature Rating | Pressure Rating |
|--------------|----------------------------------------|-----------------------------------------|
| SS316 | -65 °F to 850 °F (-54 °C to 454 °C) | 10000 psi (689 bar) @ 100 °F (38 °C) |
| Carbon Steel | -20 °F to 450 °F (-29 °C to 232 °C) | |

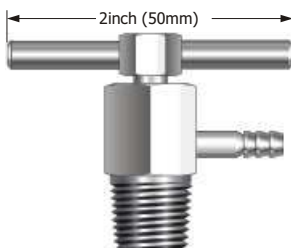
Ordering Number and Table of Dimensions

| Basic Ordering No. | End Connection | | Orifice in.(mm) | Cv | Dimensions inch (mm) | | | | |
|--------------------|----------------|-----------------|-----------------|------------------------------|----------------------------|----------------|------|-----------------|-----------------|
| | Inlet | Outlet | | | L | L1 | D | h Hex | |
| | VBV-M-2N- | 1/8" Male NPT | | | O.D. 3/16" Tube Stub | 0.125 (3.2) | 0.25 | 1.34 (34.03) | 0.94 (23.87) |
| VBV-M-4N- | 1/4" Male NPT | 1.47 (37.33) | 1.03 (26.16) | 0.75 (19.05) 0.69 (17.52) | | | | 7/8 (22.22) | |
| VBV-M-6N- | 3/8" Male NPT | | | | | | | | |
| VBV-M-8N- | 1/2" Male NPT | | | | | | | | |

All dimensions shown are for reference only and are subject to change.

How to Order

To order, add the valve body material as a suffix to the basic ordering number. S: Stainless, C: Steel. Example: VBV-M-2N-S



Options

- Bar handle: Optional bar handle allows wrench-less actuation
 - Bar handle ordering number: BH
 - Barbed Vent Tube: Optional barbed vent tube enables containment of fluid vented.
 - 3/16" OD barbed vent tube ordering number: HT
- To order, use the option ordering number as a suffix to the valve basic ordering number.
Examples: VBV-M-2N-BH-S, VBV-M-2N-HT-S.

Factory Test

Every valve is tested with the nitrogen @ 68 bar (1000 psi) for leakage at the seat to a maximum allowable leak rate of 0.1 scc/min.